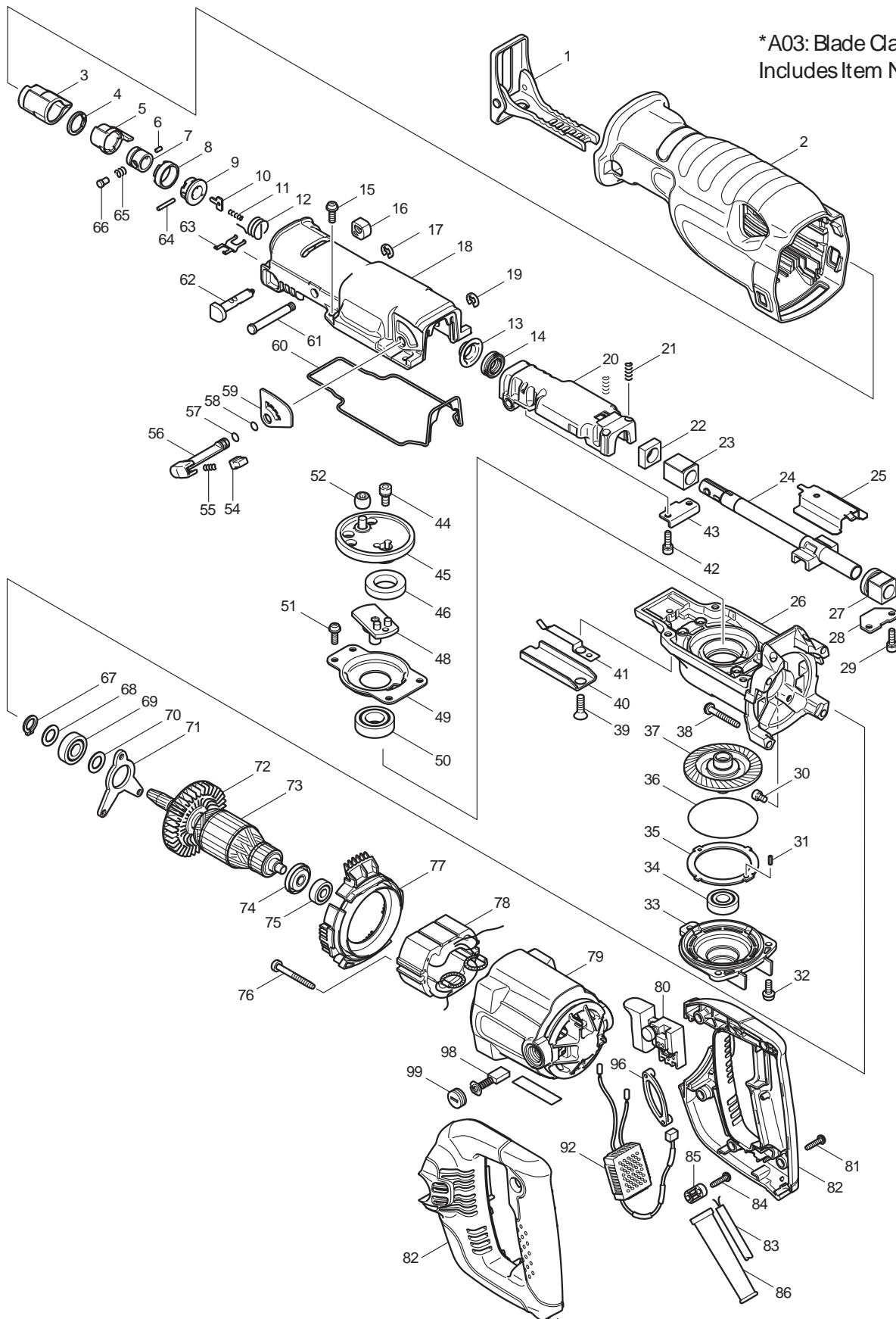




08 - 2010
JR3060T
RECIPRO SAW



*A03: Blade Clamp Kit
Includes Item No. 3-12, 64-66

Item No.	Type	Sub	Part No.	Description	Qty	Unit
1			163451-9	SHOE	1	PC.
2			421898-6	INSULATION COVER	1	PC.
3		2	424147-0	* PROTECTOR	1	PC.
4		2	257952-8	* RETAINING RING (EXT) 18	1	PC.
5		2	310285-3	* DRIVING SLEEVE	1	PC.
6			268094-3	PIN 3	1	PC.
7		2	331720-8	* GUIDE SLEEVE	1	PC.
8			417791-0	DRIVING SLEEVE GUIDE	1	PC.
9			418311-3	SLEEVE	1	PC.
10			345214-7	PUSH PLATE	1	PC.
11			233025-1	COMPRESSION SPRING 2	1	PC.
12			231687-9	TORSION SPRING 17	1	PC.
13			257742-9	SHOULDER SLEEVE 14	1	PC.
14			213174-0	X RING 14	1	PC.
15			911225-0	PAN HEAD SCREW M5X16	4	PC.
16			418806-6	CAP	1	PC.
17			961012-7	STOP RING E-6	1	PC.
18			154551-6	GEAR HOUSING COVER COMPLETE	1	PC.
19			961012-7	STOP RING E-6	1	PC.
20			154502-9	SLIDER SUPPORT COMPLETE	1	PC.
21			233038-2	COMPRESSION SPRING 5	2	PC.
22			423343-7	SEAL PLATE 14	1	PC.
23			214170-1	PLANE BEARING 14A	1	PC.
24		1	168410-8	SLIDER	1	PC.
		2	154804-3	SLIDER COMPLETE	1	PC.
		3	168410-8	SLIDER	1	PC.
25			345487-2	SLIDE PLATE	1	PC.
26			317842-8	GEAR HOUSING	1	PC.
27			154547-7	BEARING COMPLETE	1	PC.
28			345486-4	PLATE B	1	PC.
29		1	266086-6	HEX. SOCKET HEAD BOLT M5X16	2	PC.
		2	911225-0	PAN HEAD SCREW M5X16	2	PC.
30			265530-0	HEX.SOCKET HEAD BOLT M5X8	3	PC.
31			951051-5	* SPRING PIN 3-8 (OLD)	1	PC.
32			911225-0	PAN HEAD SCREW M5X16	3	PC.
33			317844-4	BEARING BOX	1	PC.
34			211101-1	BALL BEARING 6001LLB	1	PC.
35			345488-0	* GEAR PLATE (OLD) - N/L/A	1	PC.
36			213726-7	O RING 62	1	PC.
37			154549-3	TORQUE LIMITER COMPLETE	1	PC.
38		1	266012-5	TAPPING SCREW 5X35	4	PC.
		2	266373-3	TAPPING SCREW 5X35	4	PC.
39		1	265149-5	+ COUNTERSUNK HEAD SCREW M6X16 - N/L/A	1	PC.
		2	265165-7	TORXSOCKET C.S.HEADSCREW M6X16	1	PC.
40			345479-1	SHOE GUIDE	1	PC.
41			232222-6	LEAF SPRING B	1	PC.
42		1	266086-6	HEX. SOCKET HEAD BOLT M5X16	2	PC.
		2	911225-0	PAN HEAD SCREW M5X16	2	PC.
43			345485-6	PLATE A	1	PC.
44			265531-8	HEX.SOCKET HEAD BOLT M6X14	1	PC.
45			154545-1	CRANK CAM COMPLETE	1	PC.
46			257261-5	RING 21B	1	PC.
48			154546-9	CRANK BASE COMPLETE	1	PC.
49			285720-9	BEARING RETAINER B	1	PC.
50			211251-2	BALL BEARING 6003LLB	1	PC.
51			911225-0	PAN HEAD SCREW M5X16	4	PC.
52			212957-5	NEEDLE BEARING 710	1	PC.

Item No.	Type	Sub	Part No.	Description	Qty	Unit
54			418991-5	STOPPER	1	PC.
55			231309-1	COMPRESSION SPRING 5	1	PC.
56			272247-8	LEVER 20	1	PC.
57			213021-5	O RING 5	1	PC.
58			213021-5	O RING 5	1	PC.
59			413095-8	PLATE C	1	PC.
60			421899-4	SEAL RING	1	PC.
61			268012-1	PIN 7	1	PC.
62			162236-0	SHIFT BUTTON	1	PC.
63			232221-8	LEAF SPRING A	1	PC.
64			256158-5	PIN 3	1	PC.
65			233345-3	COMPRESSION SPRING 6	1	PC.
66			256492-3	SHOULDER PIN 5	1	PC.
67			961052-5	RETAINING RING S-12	1	PC.
68			253744-3	FLAT WASHER 12	1	PC.
69			211131-2	BALL BEARING 6001DDW	1	PC.
70			253744-3	FLAT WASHER 12	1	PC.
71			285719-4	BEARING RETAINER A	1	PC.
72			241863-7	FAN 70	1	PC.
73			513606-0	ARMATURE ASS'Y 115V	1	PC.
		INC.		Item No. 72,74,75		
74			681644-1	INSULATION WASHER	1	PC.
75			210029-0	BALL BEARING 608ZZ	1	PC.
76	1		266056-5	TAPPING SCREW 5X45	2	PC.
	2		266466-6	TAPPING SCREW 5X45	2	PC.
	3		266056-5	TAPPING SCREW 5X45	2	PC.
77			418817-1	BAFFLE PLATE	1	PC.
78			525721-8	FIELD ASS'Y 115V	1	PC.
		INC.	654020-2	RING TERMINAL	2	PC.
		INC.	654501-6	CONNECTOR P-1.25	2	PC.
79			154498-4	MOTOR HOUSING COMPLETE	1	PC.
		INC.	643708-9	BRUSH HOLDER 5-11	2	PC.
80	1		650219-7	SWITCH TG71ARS-1 - N/L/A	1	PC.
	2		650222-8	SWITCH TG71ARS-1	1	PC.
81			265995-6	TAPPING SCREW 4X18	5	PC.
82			183932-7	HANDLE SET	1	SET
83			664265-4	CORD W/PLUG 2P-16-2.5M, SJ	1	PC.
84			265995-6	TAPPING SCREW 4X18	2	PC.
85			687063-9	CORD CLAMP	1	PC.
86			682573-1	CORD GUARD 10	1	PC.
92			631652-2	CONTROLLER	1	PC.
97			861223-3	NAME PLATE JR3060T	1	PC.
98			191963-2	CARBON BRUSH CB-303 2PC/SET W/O ORIGIN - N/L/A	1	SET
98			194996-6	CARBON BRUSH CB-303 2PC/SET W/ ORIGIN	1	SET
99			643750-0	BRUSH HOLDER CAP	2	PC.
101			125524-6	GEAR HOUSING COVER ASSEMBLY	1	PC.
		INC.		Item No. 3-14, 16-20, 22-25, 27-29, 42, 43, 54-59, 61-66		
ACCESSORIES				- See catalogue or visit www.makita.ca for more optional accessories -		
A01			824734-9	PLASTIC CARRYING CASE	1	PC.
		INC.	417724-5	LATCH	2	PC.
A02			194068-7	RECIPRO SAW BLADE SET (2PC/SET)	1	SET
A03	1		310285-3X2	BLADE CLAMP KIT (See Partsbreakdown 310285-3X2)	1	PC.
	2		195929-4	BLADE CLAMP KIT (See Partsbreakdown 195929-4)	1	PC.
		INC.		Item No. 3-12, 64-66		
A04			195413-9	BOTTLED BLADE CLAMP SET (See Partsbreakdown 195413-9)	1	PC.

SERVICE CHANGES:

1. CHANGES ON PROTECTOR & DRIVING SLEEVE

Item No.	Description	TYPE 1	TYPE 2
3	PROTECTOR	421894-4	424147-0
5	DRIVING SLEEVE	310160-3	310285-3

Above parts are interchangeable as a set. (T/I# 81159)

2. CHANGES ON RETAINING RING & GUIDE SLEEVE

Item No.	Description	TYPE 1	TYPE 2
4	RETAINING RING	961078-7	257952-8
7	GUIDE SLEEVE	331639-1	331720-8

Above parts are interchangeable as a set. (T/I# 75599)

3. CHANGES ON GEAR PLATE & SPRING PIN

Item No.	Description	TYPE 1	TYPE 2
31	SPRING PIN 3-8	951051-5	-----
35	GEAR PLATE	345488-0	-----

Above parts are eliminated as a set (T/I# 74066)